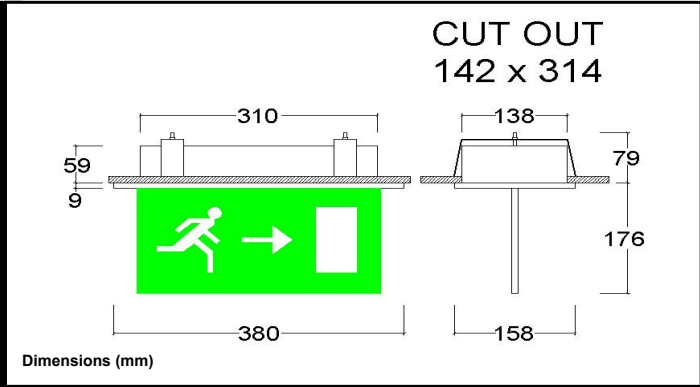




## Technical Specification Sheet for BE3R Range of Luminaires



A fully recessed Exit Sign featuring BLE's **Dual Circuit Technology** control board making the unit suitable for both Non-Maintained and Maintained applications. Unit comes complete with a heavy duty polished Exit Legend blade offering an impressive 26 Metre viewing distance. Available in Maintained, Slave and Mains version. Trims are available in either Brass, Chrome or White.

### Product Specification

Data	Self Contained Luminaire BE3R/8/M3/*	Slave/Mains Luminaire BE3R/8/**/*/*			
		24	50	110	230
Input Voltage	230 Volt AC +/- 10% 50 Hz	24 Volt	50 Volt	110 Volt	230 Volt
Power Rating	12VA	8.9VA	7.5VA	7.7VA	13VA
Light Source	1 x 8 Watt 300mm Coolwhite Fluorescent Tube				
Light Output	105 Lumens	275 Lumens			
Emergency Duration	3 Hours	Not Applicable			
Battery Type	2.4 Volt 4 Ah Nickle Cadmium				
Charger	250mA with Green LED Indicator				
Recharge Time	24 Hours (14 Hours for 1 hour Duration)				
Auto Test	Yes				
Legend Kit	N/A				
Recessing Kit	N/A				
Dimensions	380mm x 156mm x 255mm (Protudes 175mm)	Cut Out 142mm x 314mm			
Weight	2.2 Kgs	1.8 Kgs			

BLE holds ISO 9000 accreditation for the appropriate categories of emergency lighting supplied by the Company. All luminaires that BLE supplies to the European Market are designed to comply with all of the requirements of BS EN 60598-2-22

Recommended Routine Inspection	
<b>Daily</b>	Check the LED is illuminated. If lamp shows any sign of blackening then replace.
<b>Monthly</b>	Check that the Luminaire operates in the emergency mode for up to 15 minutes.
<b>6 Monthly</b>	Check that the Luminaire operates in the emergency mode for 1/3 of its rated duration.
<b>Yearly</b>	Check that the Luminaire operates in the emergency mode for its full rated duration
<b>General</b>	If the Luminaire fails the required duration replace the battery with an identical type.